

# KIWI

---

Nahtang Disseny

---

Publication 2010



# KIWI

SEATING /Chairs & Benches

Nahtrang Disseny

2010

## Summary

KIWI is the basic contemporary representation of an urban device, forging a connection between users and the environment, and avoiding a powerful visual impact. The profiled aluminium backrest evokes the image of a Kiwi beak, a curious bird found in Oceania. Its image deliberately projects a sense of comfort that makes passers-by want to take a closer look.

The soft, necessary lines of this bench invite people to make a simple habit of using this bench when they want to take a break in the city. Bake-painted aluminium props, combined with single section Bolondo or pine wood, also help to generate this highly versatile family of products: 60 cm seat, 180 or 280 cm benches, with and without armrests, and 60 or 180 cm benches.

# KIWI

SEATING /Chairs & Benches

Nahrang Disseny

2010

Technical file

(1) Cast aluminium supports, silver powder coated finish. (2) Nordic Pinewood FSC®, pressure treated. (3) Tropical wood FSC®. / Anchored with screws / Pinewood 25 / 40 / 63 Kg., Bolondo 29 / 51 / 81 Kg.



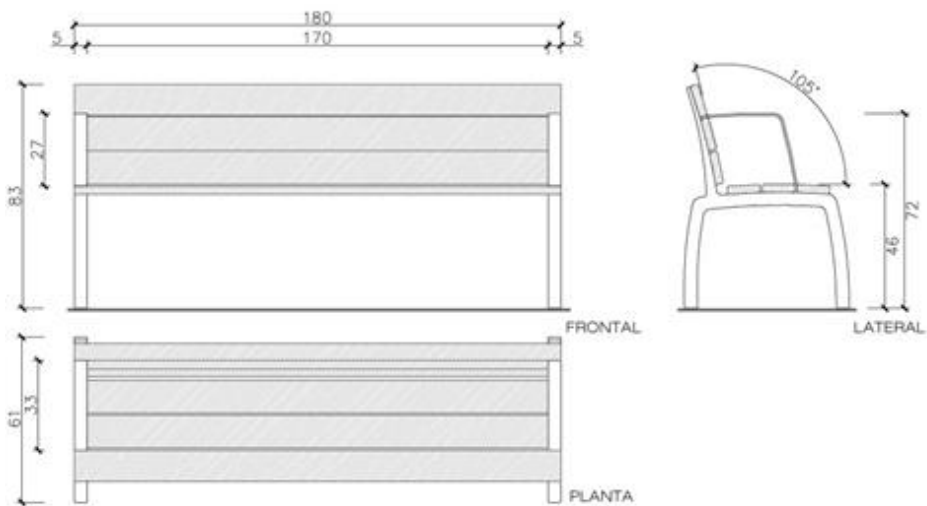
# KIWI

SEATING /Chairs & Benches

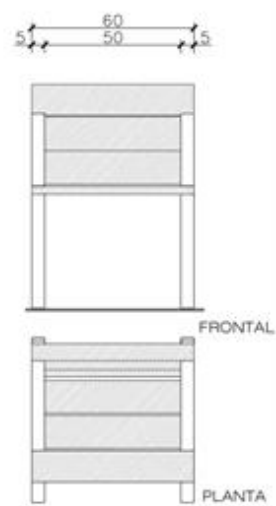
Nahtrang Disseny

2010

### BANCO KIWI



### SILLA KIWI



### BANCO KIWI 300

