

KORO

Patxi Mangado

Publication 1994



KORO

SEATING /Chairs & Benches

Patxi Mangado

1994

Summary

KORO

SEATING /Chairs & Benches

Patxi Mangado

1994

Technical file

DAE Collection / (1) Cast-iron , Black forge, Powder primer, finished with polyester powder paint. (2) Tropical wood FSC®, Treated with pigmented, translucent oil. / Anchored with screws or epoxy resin / 132 Kg., 200 Kg., 438 Kg.

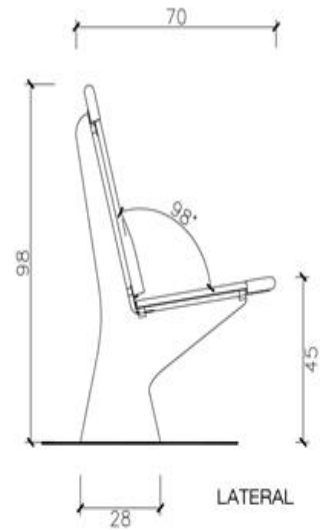
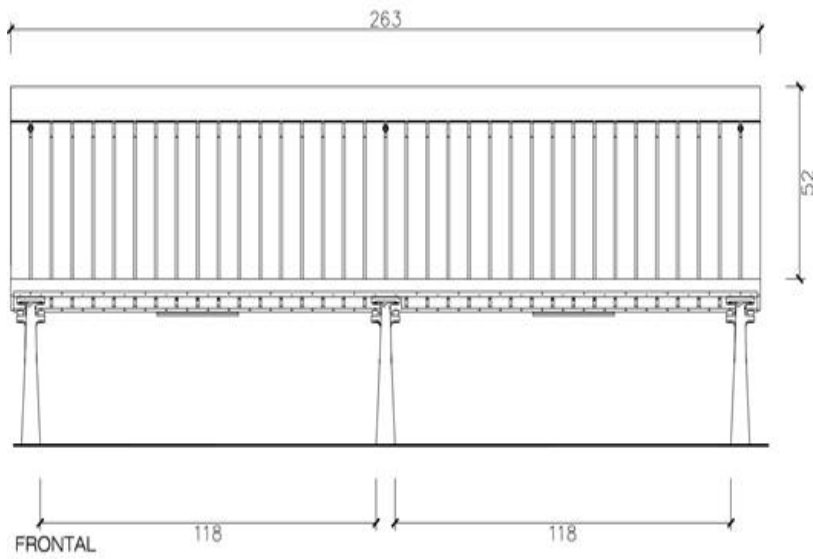


KORO

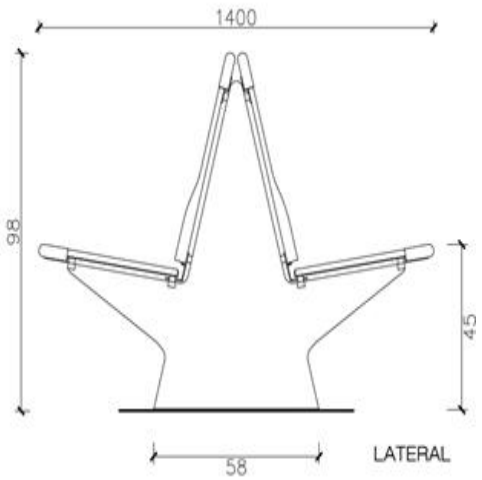
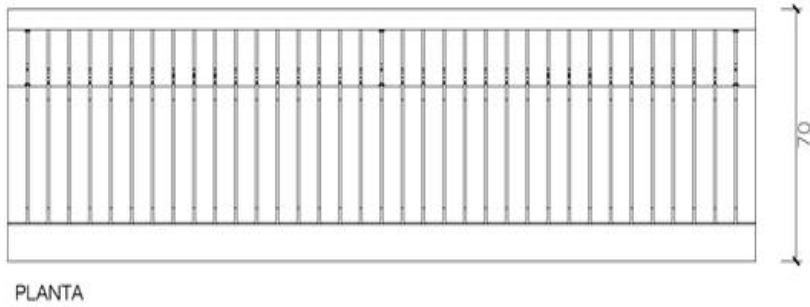
SEATING /Chairs & Benches

Patxi Mangado

1994 BANCO KORO



KORO DOBLE



BANQUETA KORO

